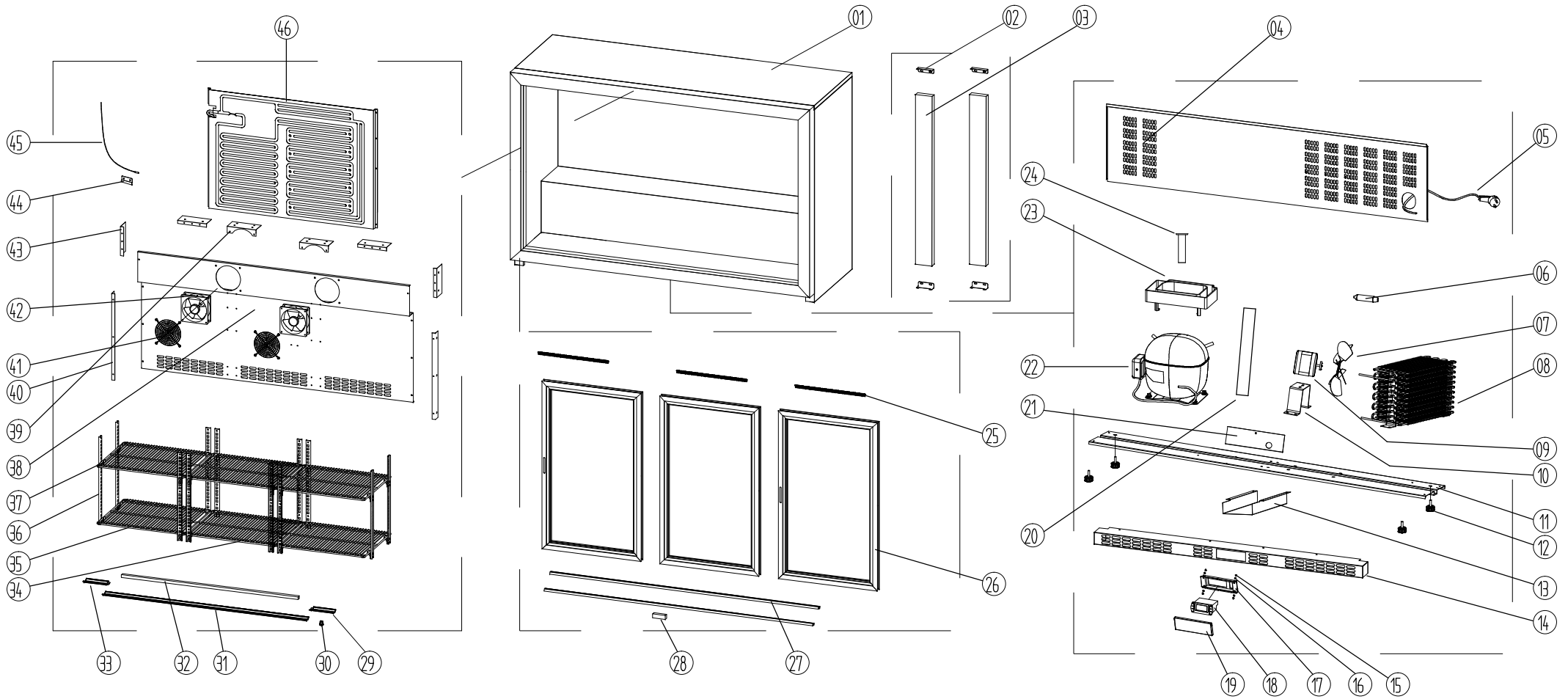


EXPLODED VIEW OF BBT 350S



N°	TYPE L2G	TYPE	NEW CODE	NAME	EN NAME	MODEL	MATERIAL	REMARK	QTY.	REF NAVISION
1	BBC330S	BBT-350S	SKC-0-000-1176-0	箱体	BODY	1350*500*880			1PCS	BBT350S.01
2	BBC330S	BBT-350S	SKC-2-006-0076-0	中梁固定块	MULLION FIXING	20*27*70	STAINLESS		4PCS	BBT350L.02
3	BBC330S	BBT-350S	SKC-0-000-1145-0	中梁	MULLION	80*40*760			2PCS	BBT350L.03
4	BBC330S	BBT-350S	SKC-2-001-0373-0	机舱后罩	BACK GRILL	1309*312*9.5	steel wire		1PCS	BBT350L.04
5	BBC330S	BBT-350S	SKC-4-010-0038-0	电源线	PLUG	Φ1.5*3000*3	PLASTIC		1PCS	BBT350L.05
6	BBC330S	BBT-350S	SKC-2-103-0002-0	干燥过滤器	FILTER DRIER	Φ19*100		9g	1PCS	BBT350L.06
7	BBC330S	BBT-350S	SKC-2-105-0003-0	冷凝风机风叶	FAN BLADE	Φ172	aluminum		1PCS	BBT350L.08
8	BBC330S	BBT-350S	SKC-2-102-0003-0	冷凝器	CONDENSOR				1PCS	BBT350L.09
9	BBC330S	BBT-350S	SKC-4-001-0009-0	冷凝风机	CONDENSOR FAN	ZCF170			1PCS	BBT350L.10
10	BBC330S	BBT-350S	SKC-2-006-0363-0	冷凝风机支架	UNIT BOARD SUPPORT	118*50*40	Galvanized sheet		1PCS	BBT350L.11
11	BBC330S	BBT-350S	SKC-2-006-0109-0	机组板	UNIT BOARD	1330*200*15	Galvanized sheet		1PCS	BBT350L.12
12	BBC330S	BBT-350S	SKC-2-140-0010-0	调节脚	ADJUSTABLE FEET	M8*15			4PCS	BBT350L.13
13	BBC330S	BBT-350S	SKC-2-006-0124-0	护线盒	CONTROL PROTECTOR	290*120*45	Galvanized sheet		1PCS	BBT350L.14
14	BBC330S	BBT-350S	SKC-0-000-1179-0	前装饰板	front panel	1350*58*80	Iron painting		1PCS	BBT350S.14
15	BBC330S	BBT-350S	SKC-2-110-0289-0	卡块	THERMOSTATE CLIP BLOCK		PLASTIC		4PCS	BBT350L.16
16	BBC330S	BBT-350S	SKC-2-110-0288-0	孔盖	THERMOSTATE CLIP		PLASTIC		4PCS	BBT350L.17
17	BBC330S	BBT-350S	SKC-2-110-0290-0	温控器盒	THERMOSTATE BOX	140*47*15	PLASTIC		1PCS	BBT350L.18
18	BBC330S	BBT-350S	SKC-4-030-0017-0	温控器	THERMOSTATE	DIXELL 02			1PCS	XR02CX
19	BBC330S	BBT-350S	SKC-2-110-0287-0	温控器罩	THERMOSTATE COVER	144*49*8	PLASTIC		1PCS	BBT350L.20
20	BBC330S	BBT-350S	SKC-2-006-0114-0	机舱支撑	soft pipe	270*40*15	Galvanized sheet		1PCS	BBT350L.24
21	BBC330S	BBT-350S	SKC-2-006-0073-0	挡风板	AIR FLOW CONDUCT A	200*60*15	Galvanized sheet		1PCS	BBT350L.22
22	BBC330S	BBT-350S	SKC-4-040-0027-0	压缩机	COMPRESSOR	扎努西 OF1350A			1PCS	OF1350
23	BBC330S	BBT-350S	SKC-2-110-0381-0	接水盒	WATER BOX		PLASTIC		1PCS	BBT350L.25
24	BBC330S	BBT-350S	SKC-2-110-0296-0	排水管	DRAIN PIPE	Φ22*80	PLASTIC		1PCS	BBT350L.26
25	BBC330S	BBT-350S	SKC-2-170-0083-0	拉簧	SPRING	Φ5*215			3PCS	BBT350S.25
26	BBC330S	BBT-350S	SKC-2-150-0020-0	玻璃门左	GLASS DOOR/LEFT	751*448*25		LEFT	1PCS	BBT350S.26.1
26	BBC330S	BBT-350S	SKC-2-150-0021-0	玻璃门中	GLASS DOOR/MIDDLE	751*448*25		MIDDLE	1PCS	BBT350S.26.2
26	BBC330S	BBT-350S	SKC-2-150-0077-0	玻璃门右	GLASS DOOR/RIGHT	751*448*25		RIGHT	1PCS	BBT350S.26.3
27	BBC330S	BBT-350S	SKC-2-170-0039-0	铝型材滑轨	long door guide	1288*26.8*10.5	aluminum		1PCS	BBT350S.27
27	BBC330S	BBT-350S	SKC-2-170-0038-0	铝型材滑轨	short door guide	838*26.8*10.5	aluminum		1PCS	BBD230S.27
28	BBC330S	BBT-350S	SKC-2-006-0287-0	门挡	DOOR STOPPER		Silica gel		1PCS	BBT350S.28
29	BBC330S	BBT-350S	SKC-2-110-0284-0	灯罩左拼	LAMP COVER LEFT	108*40*8.5	PLASTIC		1PCS	BBT350L.35
30	BBC330S	BBT-350S	SKC-4-050-0004-0	灯开关	LAMP SWITCH	MR-5			1PCS	BBT350L.36
31	BBC330S	BBT-350S	SKC-2-110-0279-0	灯罩	LAMP COVER		PLASTIC		1PCS	BBT350L.37
32	BBC330S	BBT-350S	SKC-4-050-0014-0	LED灯条	LAMP STRIP	L=1000	PLASTIC		1PCS	BBT350L.38
33	BBC330S	BBT-350S	SKC-2-110-0285-0	灯罩右拼	LAMP COVER RIGHT	108*40*8.5	PLASTIC		1PCS	BBT350L.39
34	BBC330S	BBT-350S	SKC-2-120-0024-0	搁物架	MIDDLE SHELF	450*325	Chrome plating steel		1PCS	BBT350L.40
35	BBC330S	BBT-350S	SKC-2-120-0021-0	搁物架	SIDE SHELF	399*325	Chrome plating steel		2PCS	BBT350L.41
36	BBC330S	BBT-350S	SKC-2-120-0073-0	挂条	SHELF SUPPORT		PLASTIC		12PCS	BBT350L.42
37	BBC330S	BBT-350S	SKC-2-110-0625-0	挂钩	SHELF CLIP		PLASTIC		24PCS	BBT350L.43
38	BBC330S	BBT-350S	SKC-2-006-0105-0	风壳	EVAPORATOR COVER	1267*535*52.5	Embossed aluminum		1PCS	BBT350L.44
39	BBC330S	BBT-350S	SKC-2-006-0360-0	内风机支架	EVAPORATOR SUPPORT	60*25*120	STAINLESS		2PCS	BBT350L.48
40	BBC330S	BBT-350S	SKC-2-006-0063-0	长支撑板	LONG SUPPORT	386*30*15	aluminum		2PCS	BBT350L.45
41	BBC330S	BBT-350S	SKC-2-120-0043-0	内风机网罩	GURD GRILLS	Φ148	Chrome plating steel		2PCS	BBT350L.46
42	BBC330S	BBT-350S	SKC-4-001-0026-0	蒸发风机	EVAPORATOR FAN	4C-230HB			2PCS	BBT350L.47
43	BBC330S	BBT-350S	SKC-2-006-0062-0	短支撑板	SHORT SUPPORT	130*60*15	aluminum		4PCS	BBT350L.49
44	BBC330S	BBT-350S	SKC-2-002-0036-0	感温探头夹	PROBE PADDING				1PCS	BBT350L.50
45	BBC330S	BBT-350S	SKC-4-050-0031-0	柜温探头	SENSOR				1PCS	BBT350L.51
46	BBC330S	BBT-350S	SKC-2-101-0003-0	吹涨式蒸发器	EVAPORATOR	1210*480			1PCS	BBT350L.53
47	BBC330S	BBT-350S	SKC-0-000-0057-0	挡风板组合	air flow conduct B	268.5*186*15			1PCS	BBD230S.37
	BBC330S	BBT-350S			WHEELS FOR DOOR BBD230S.26.01				2PCS	BBD230S.26.01
22	BBC330S	BBT-350S	SKC-4-040-0027-0	压缩机	COMPRESSOR	CMA098NHEM			1PCS	CMA098NHEM